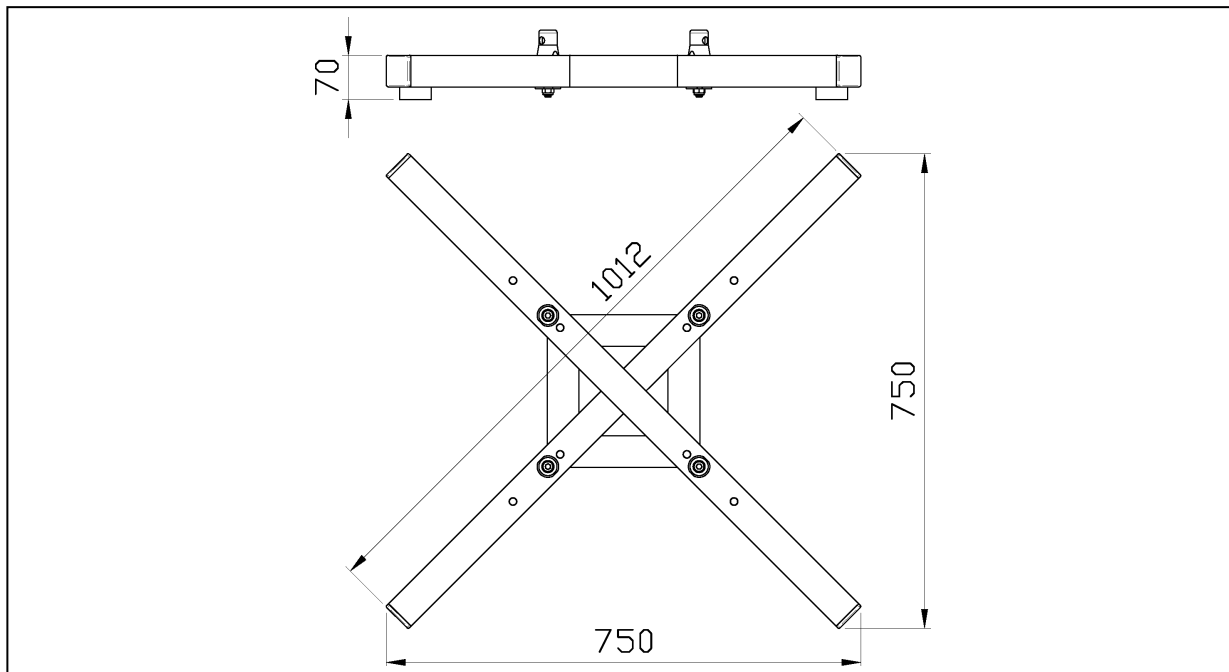


Aluminum stabilizing base, compact version  
Base stabilizzante in alluminio, versione compact



#### TECHNICAL SPECIFICATION

|                      |                              |
|----------------------|------------------------------|
| <b>Dimension</b>     | 75 x 75 x 7 cm               |
| <b>Material</b>      | Aluminum EN AW 6060 T5       |
| <b>Weight</b>        | 5.0 kg                       |
| <b>Compatibility</b> | E25Q, E30Q, S30, E40Q, SS40. |
| <b>Welding</b>       | TIG (UNI EN 9606-2:2006)     |
| <b>Volume</b>        | 0.06 m <sup>3</sup>          |
| <b>Load</b>          | 300 kg                       |