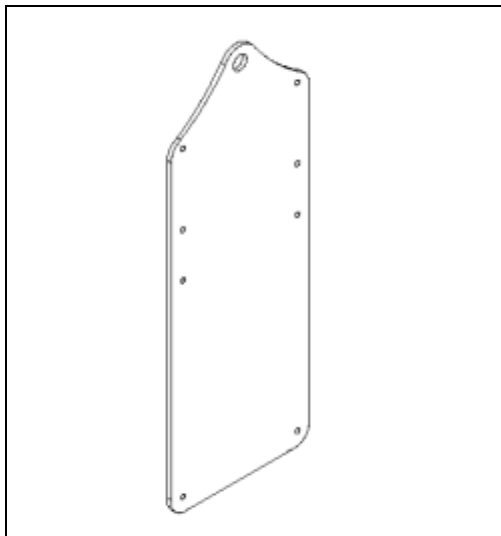
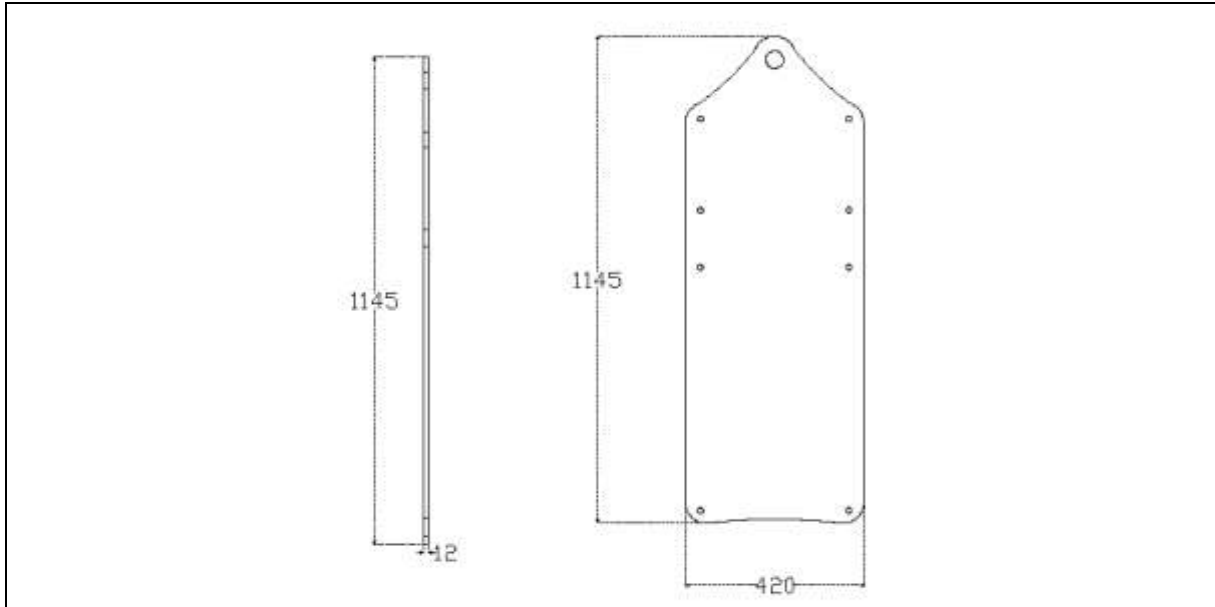


**L52**

Positioning device with connection block sleeve Poli 52 tower and truss  
S76R series

Dispositivo di posizionamento tetto coperto con carrello Torre Poli52  
attacco S76R



**TECHNICAL SPECIFICATION**

<b>Dimension</b>	1145 x 420 x 12 mm
<b>Material</b>	galvanized steel
<b>Weight</b>	22.00 kg
<b>Welding</b>	TIG UNI EN 9606-2:2006
<b>Volume</b>	0.058 mc
<b>Side attack</b>	S76 series