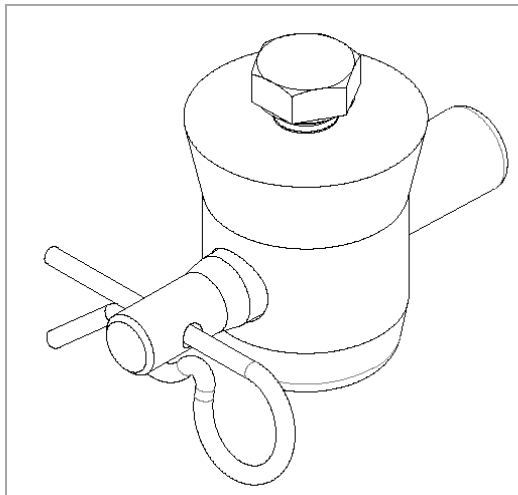
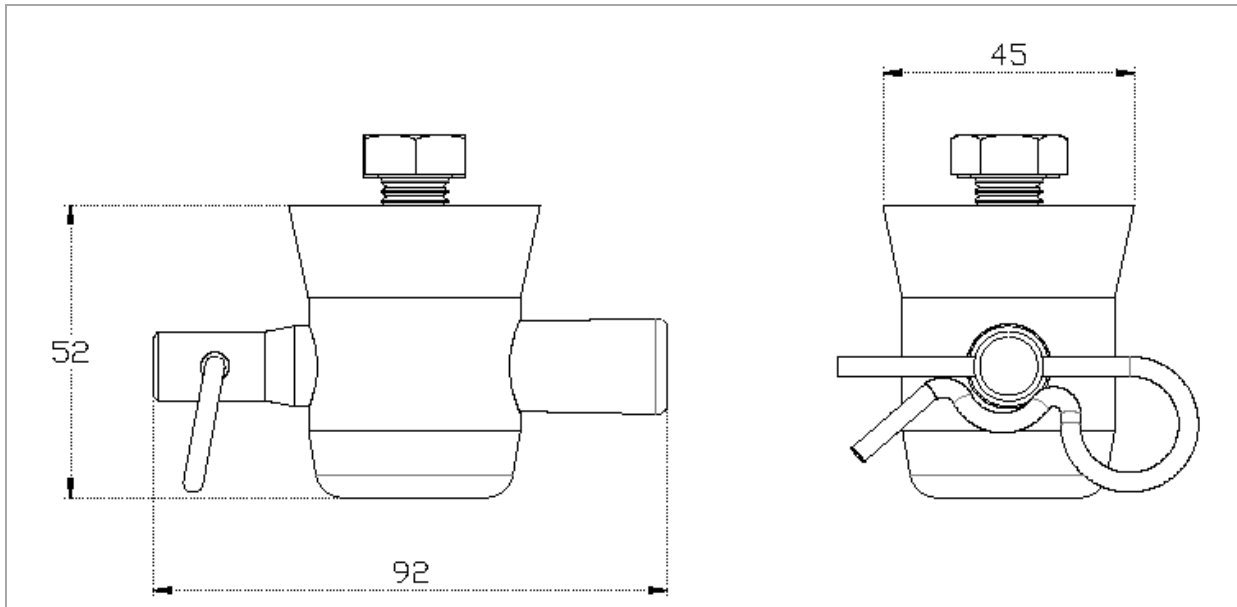


Steel half spigot kit  
Kit di connessione mezzo spinotto in acciaio



**TECHNICAL SPECIFICATION**

<b>Dimension</b>	92 x 52 x 45 mm
<b>Material</b>	Steel AVP 11 SM Pb 37
<b>Weight</b>	0.272 kg
<b>Components</b>	1 half spigot , 1 pins , safety springs.
<b>Volume</b>	0.00021 mc