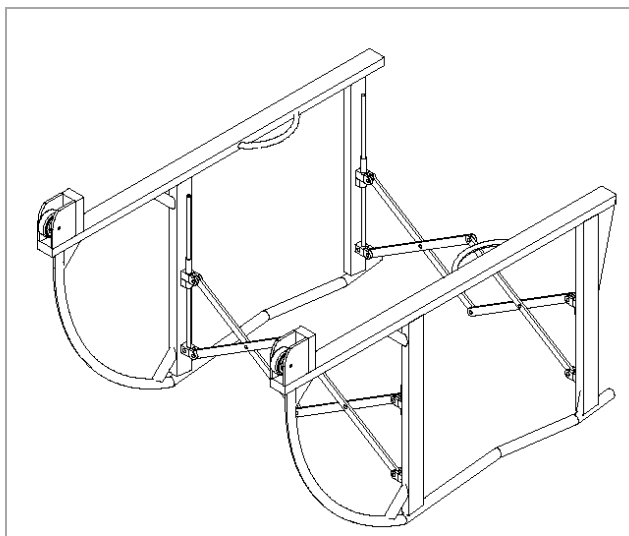
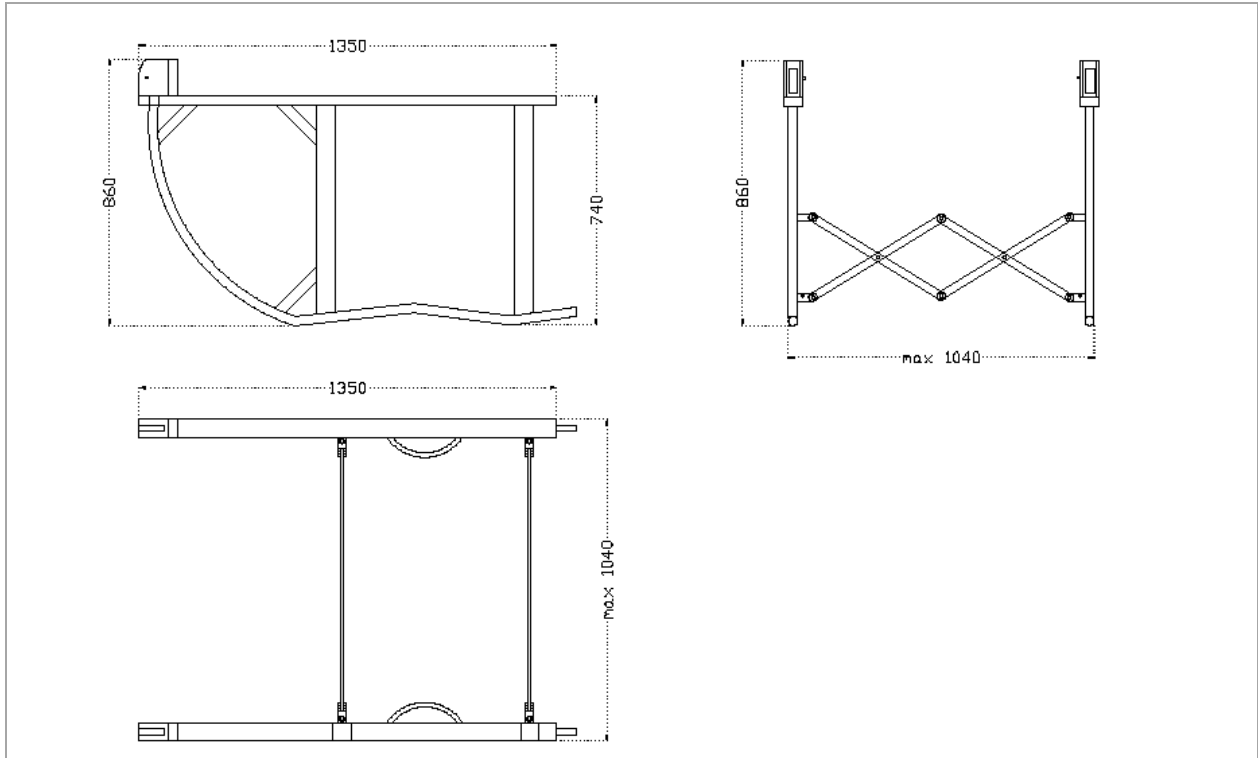


Alluminium mixer support
Reggi – Mixer in alluminio



TECHNICAL SPECIFICATION

Dimension max	860x1350x1040 mm
Dimension min	860x1350x255 mm
Material	Aluminium EN AW 6082 T6
Weight	18.00 kg
Welding	TIG UNI EN 9606-2:2006
Volume	0.30 mc
Load	240 kg