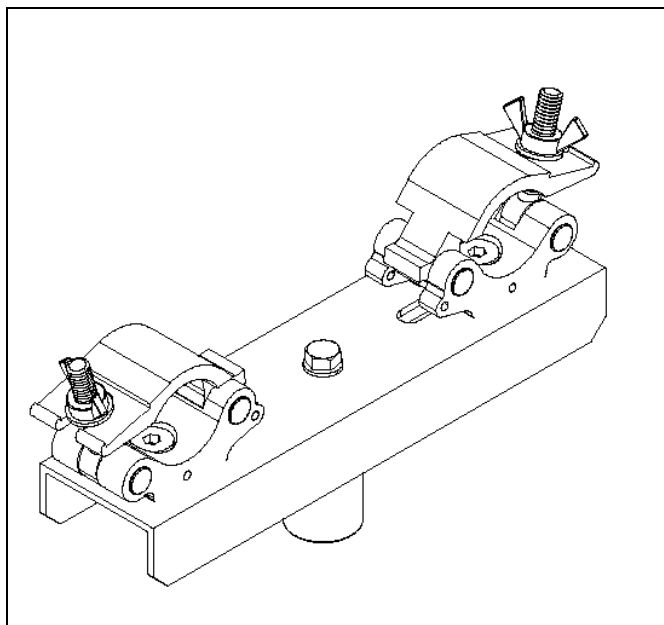
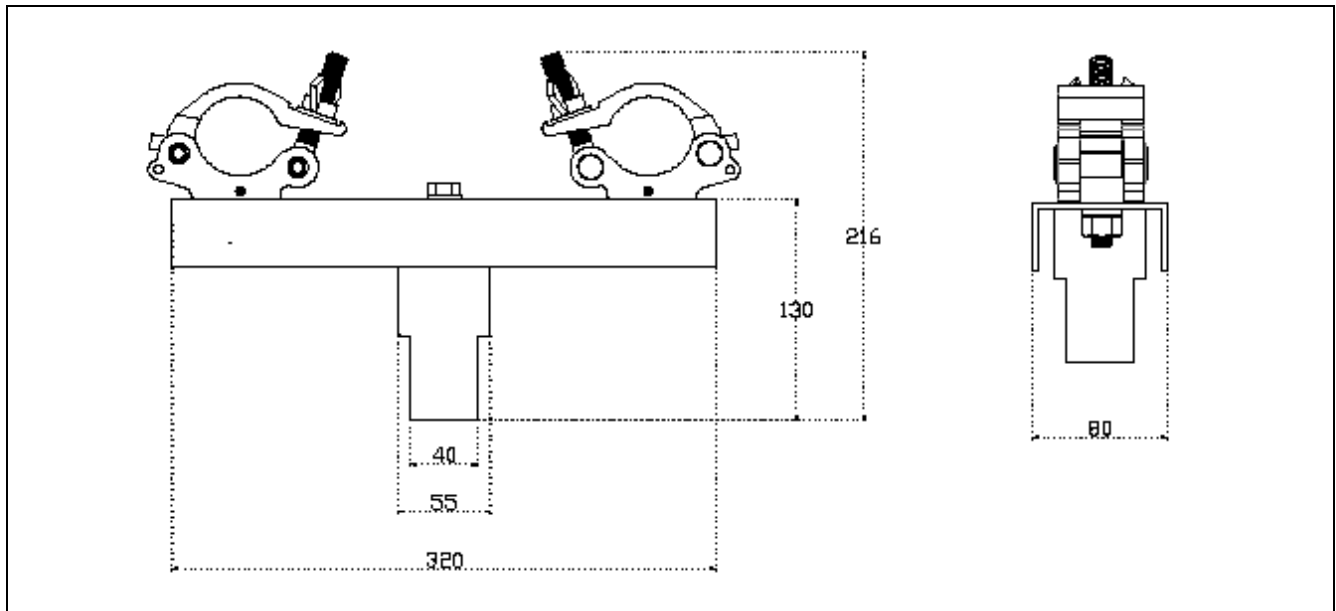


## Supporto Traliccio con estensione regolabile min.20-max 30 cm

Support Trellis with adjustable extension min.20-max 30 cm

ST-02



### Specifica Tecnica

#### Dimensioni / Dimensions

216x320x80 mm

#### Materiale / Material

Lega EN AW-6060 T5 / Acciaio AVP

#### Finitura superficiale / Surface finish

Alluminio lucido / polished aluminum

#### Peso / Weight

2.500 kg

#### Volume trasporto / Transport volume

0.0031 m<sup>3</sup>

#### Portata / Max. load

450 kg

#### Note / Notes

Min. diametro tubo (*Min. tube diameter*) – 48 mm  
Max. diametro tubo (*Max. tube diameter*) – 51 mm



[www.efestoproduction.com](http://www.efestoproduction.com) - [info@efestoproduction.com](mailto:info@efestoproduction.com)

**Efesto Production Srl** Via Orta Loreto loc. Taurana 84012 Angri SA **Italy** **ISO 9001:2008 Certified Company**

Tel. + 39 081 5187923 / + 39 081 5156116 - Fax + 39 081 5165028

