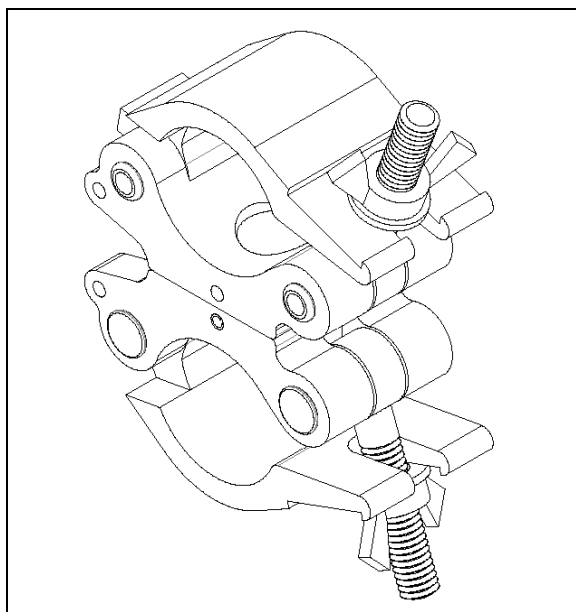
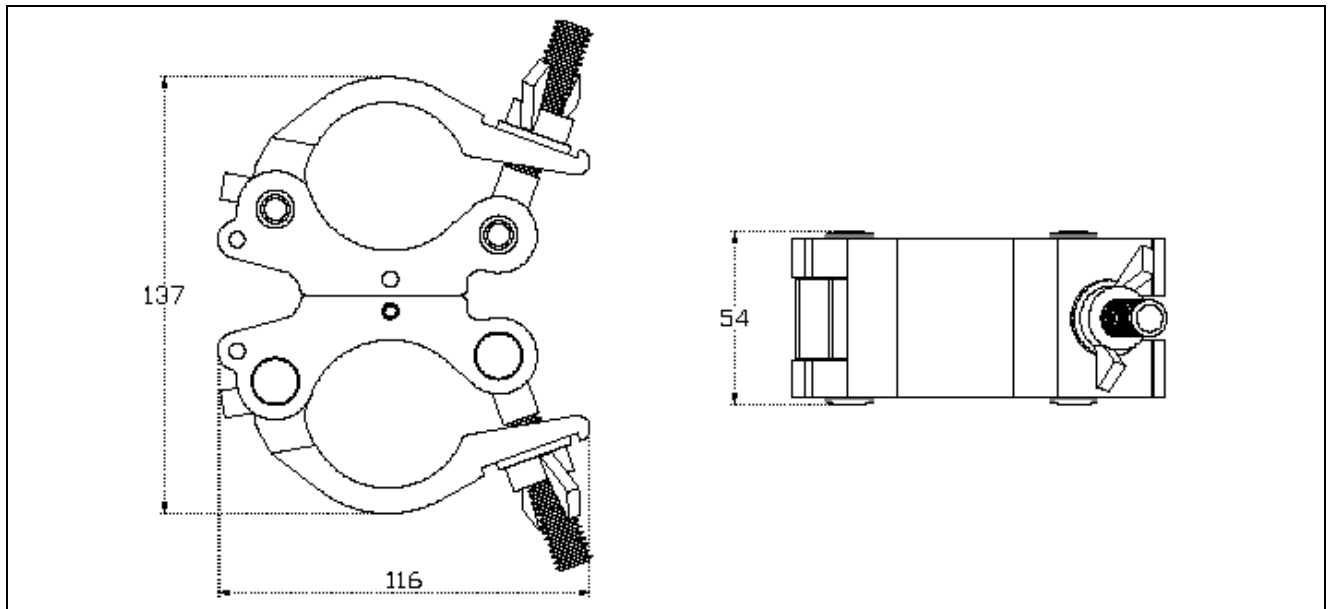


GANCIO DOPPIO IN ALLUMINIO 50 mm “VERNICIATO NERO”

Hook double aluminum 50 mm color “Painted black”

AD03N



Specifica Tecnica	
Dimensioni / Dimensions	137x116X35 mm
Materiale / Material	Lega EN AW-6060 T5
Finitura superficiale / Surface finish	*Verniciato nero / Painted black
Peso / Weight	0.948 kg
Volume trasporto / Transport volume	0.0010 m ³
Portata / Max. load	250kg
Note / Notes	Min. diametro tubo (Min. tube diameter) – 48 mm Max. diametro tubo (Max. tube diameter) – 51 mm

