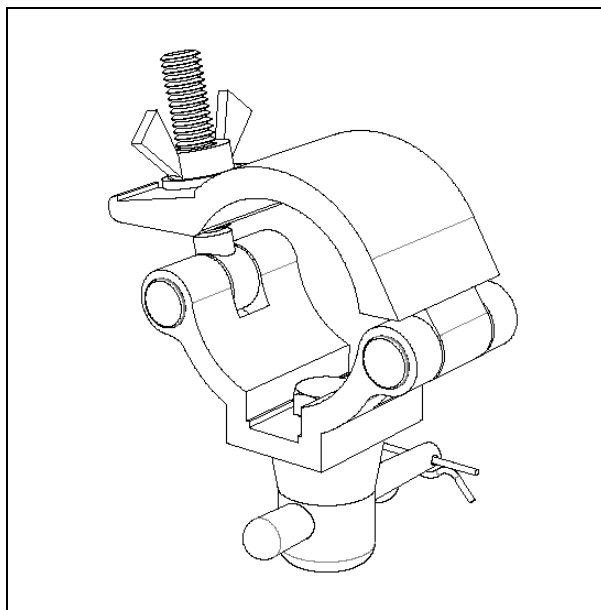
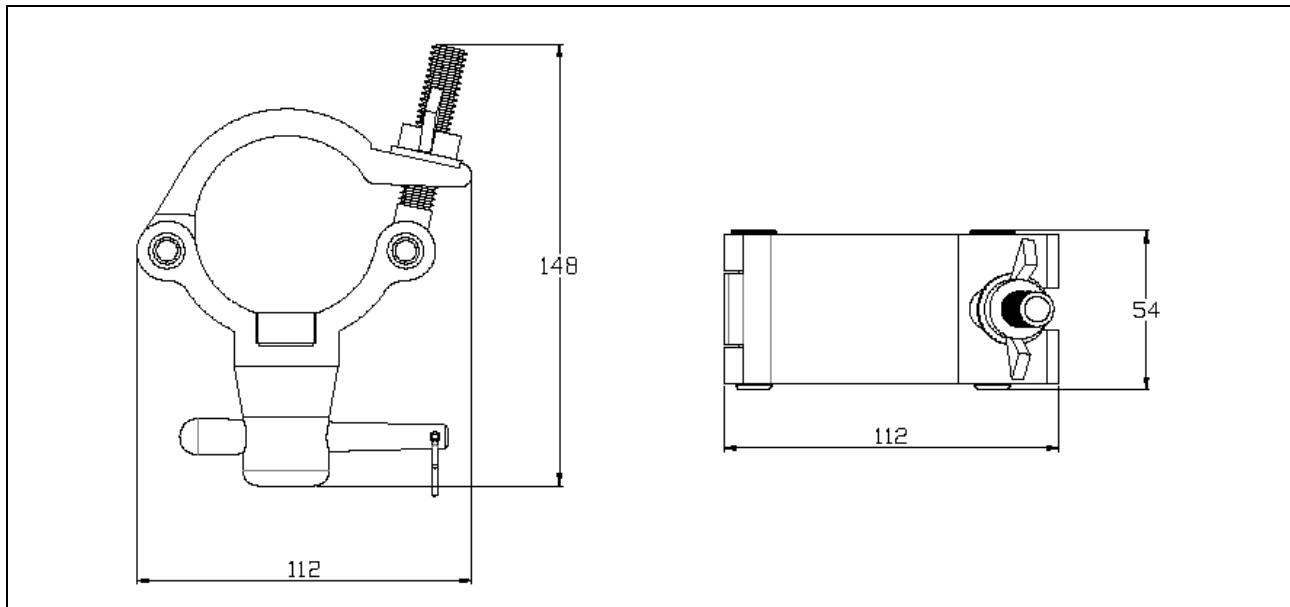


GANCIO CON ½ SPINOTTO IN ALLUMINIO 50 mm “ SILVER FINISH “

Hook ½ with pin aluminum 50 mm color "Silver Finish"

AM02-60



Specifica Tecnica

Dimensioni / Dimensions

148x112x54 mm

Materiale / Material

Lega EN AW-6082 T6

Finitura superficiale / Surface finish

*Verniciato argento / Painted silver

Peso / Weight

0.670 kg

Volume trasporto / Transport volume

0.00090 m³

Portata / Max. load

500 kg

Note / Notes

diametro tubo (tube diameter) – 60 mm

