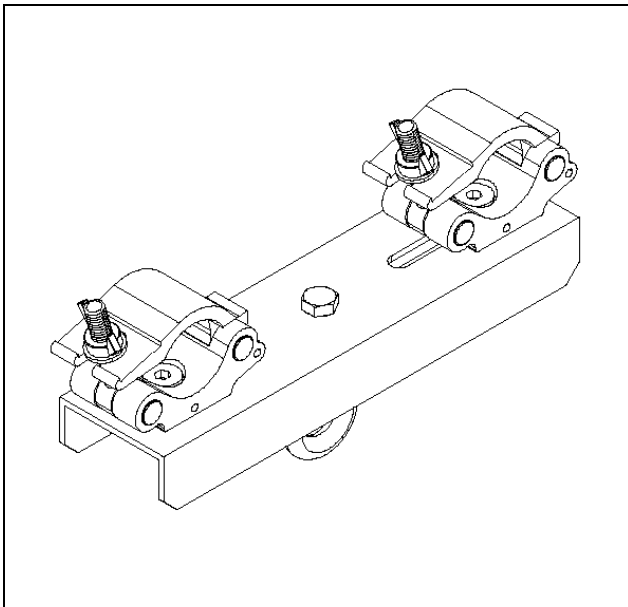
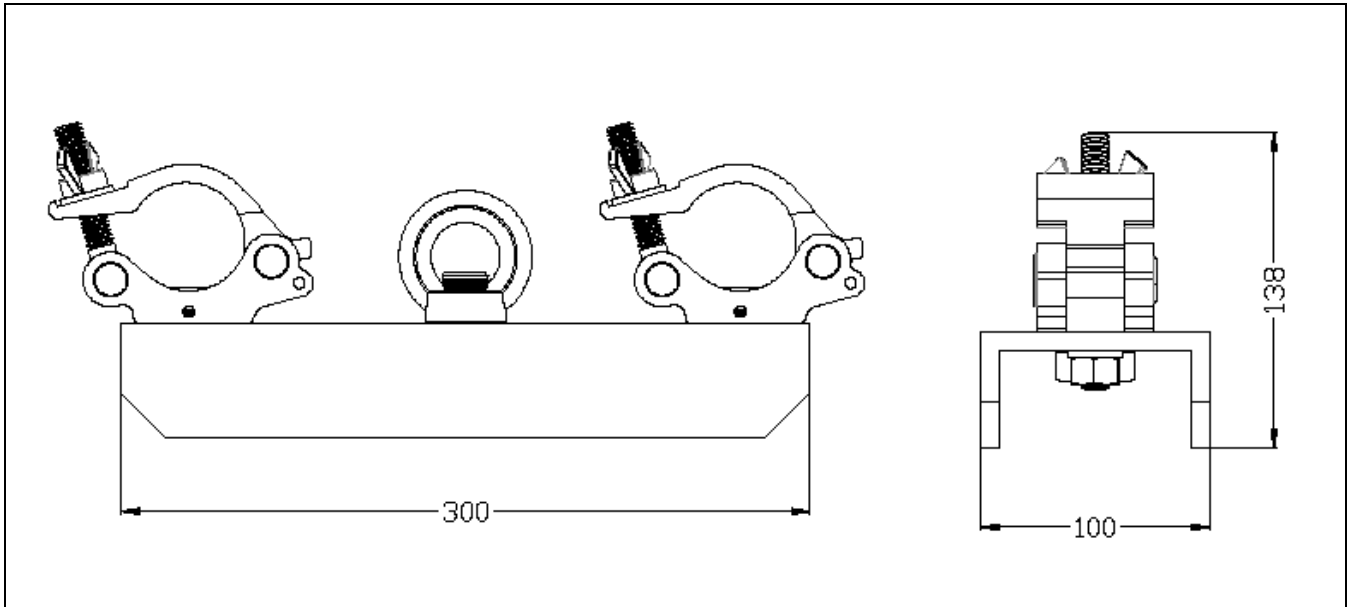


**Supporto Traliccio versione plus con golfare ad estensione regolabile min.20-max 30 cm**  
*Support Trellis plus version with eyebolt adjustable extension min.20-max 30 cm* **ST/2P**



Specifica Tecnica	
<b>Dimensioni / Dimensions</b>	138x300x100 mm
<b>Materiale / Material</b>	Lega EN AW-6060 T5 /Acciaio (C15)
<b>Finitura superficiale / Surface finish</b>	Alluminio /aluminum – Acciaio (C15)/ Steel (C15)
<b>Peso / Weight</b>	2.70 kg
<b>Volume trasporto / Transport volume</b>	0.0041 m <sup>3</sup>
<b>Portata / Max. load</b>	500 kg
<b>Note / Notes</b>	Min. diametro tubo ( <i>Min. tube diameter</i> ) – 48 mm Max. diametro tubo ( <i>Max. tube diameter</i> ) – 51 mm

