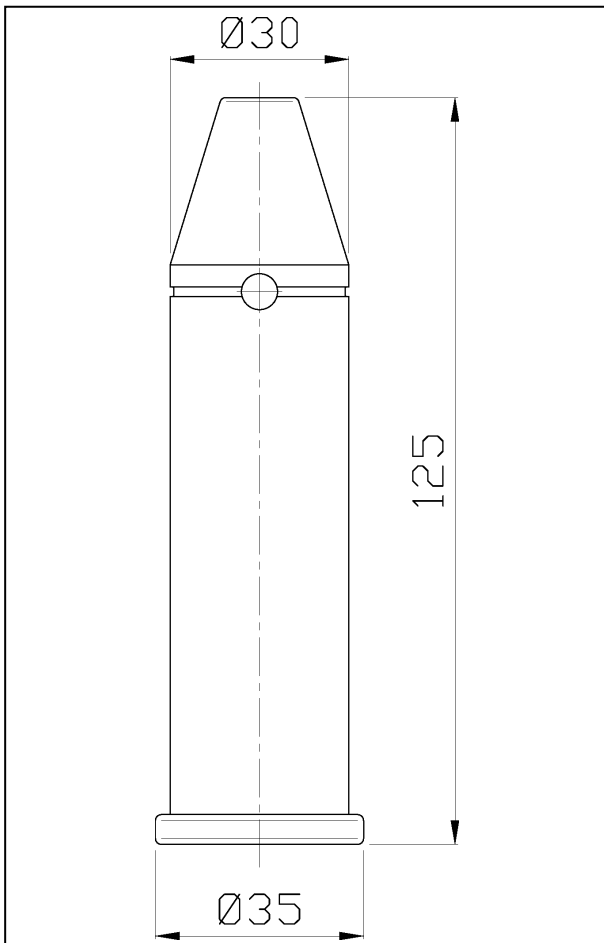




Kit components: 4 cylindrical steel pins, 4 safety R-clip



TECHNICAL DATA

Dimension:	Ø35 x 125 mm (x4)
Pin material:	C45 hardening and tempering Steel
Weight:	2,5 kg
compatibility:	C80-AR (<i>ASTROroof chord</i>)
Surface finish :	Galvanized