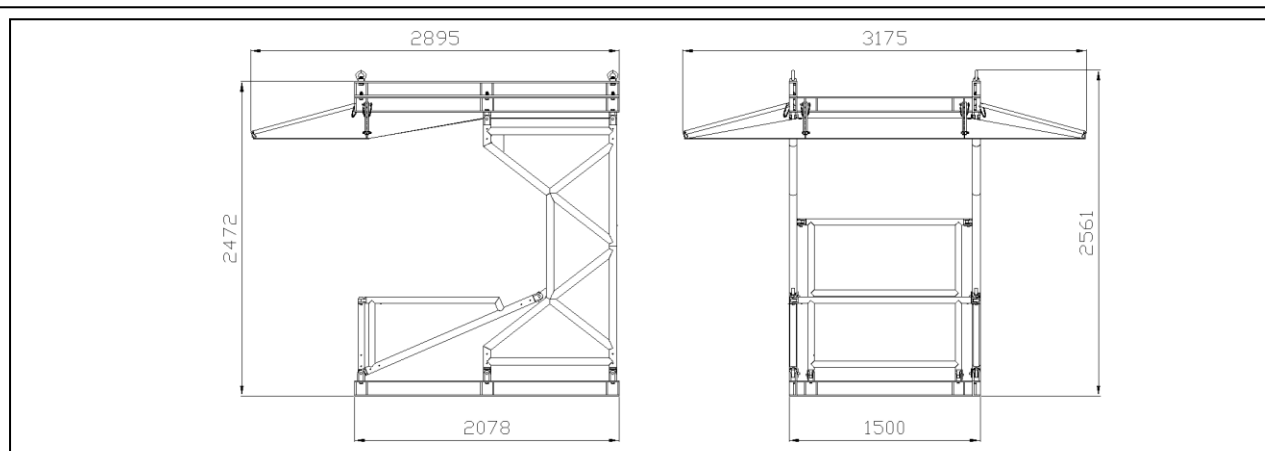
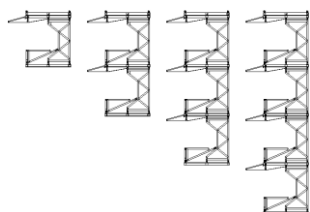


Postazione modulare per torri di illuminazione palco (torri seguipersona)
Modular spot for stage lighting towers (follow spot towers)



TECNICAL DATA	
Dimensions :	2,08 x 1,50 x 2,60 m
MATERIALS :	
Main frame :	Ø60x5mm - EN AW-6082 T6
Railings :	Ø50x4mm - EN AW-6082 T6
Platform :	EN AW-6060 T5
Deck :	Aluminium tear plate deck. thickness : 3mm
Welding :	TiG/MiG (EN ISO 4063-141/131)
Cover :	Fireproof Sheet PVC 650 g/m ²
Sheet color :	Black (different color on demand)
Deck area :	2,6 m ²
Weight :	305 kg
Volume :	0,95 m ³

Fino a un quattro moduli sono sovrapponibili per realizzare postazioni multiple.
Up to four modules can be stacked to get multi-workstations.



Number of Modules	*Allowable load for module [kg/m ²]
1	600
2	400
3	300
4	200

*without wind load

TOWERS

