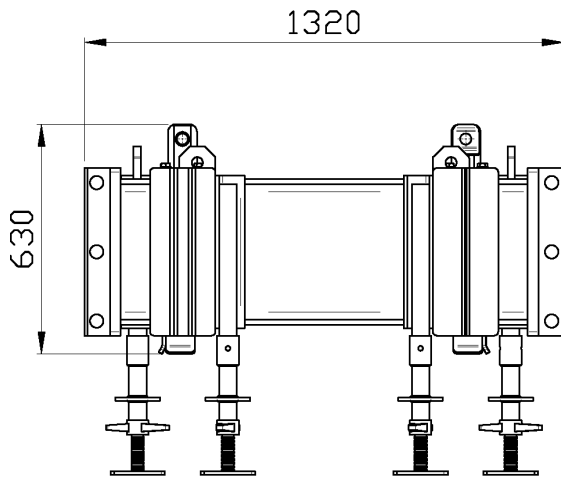
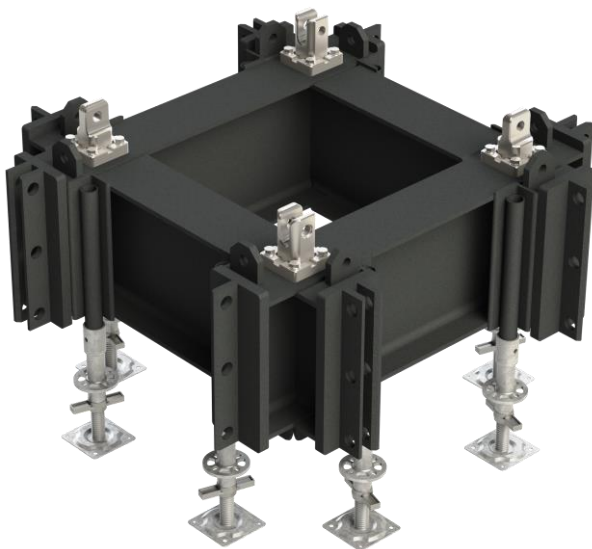
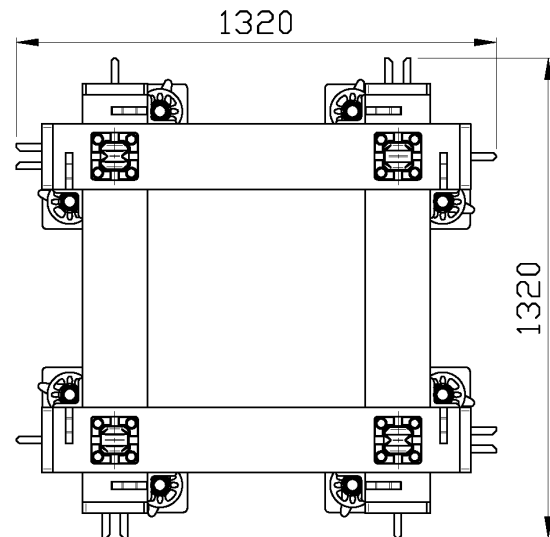


**Front view**

**Top view**


#### TECHNICAL DATA

Dimensions:	132 x 132 x 63cm
Material:	Steel
Welding :	MIG (UNI EN 9606-1: 2013)
Weight:	590 kg
Volume:	1,1 m <sup>3</sup>

#### FEATURES

- Adjustable feet;
- Ballast function;
- Connection element to the tower ballast/stabilizer (CBS85A) on four orthogonal directions;
- Connection node between towers (through CBS85A);
- Integrated attachment points for tension wires.