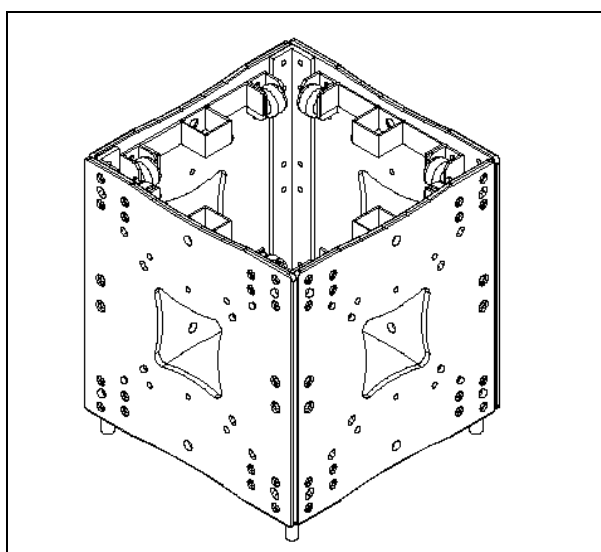
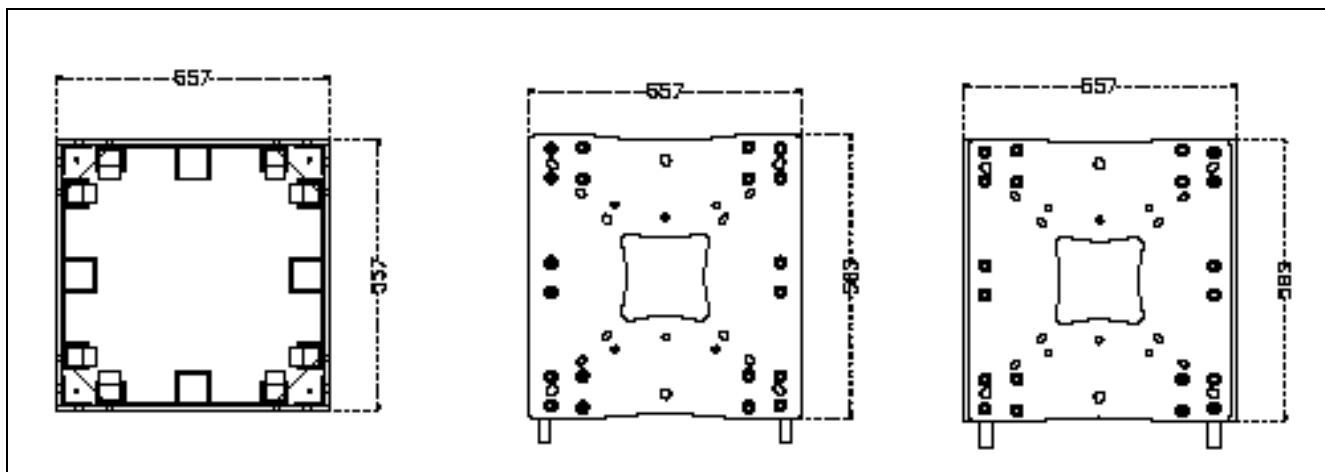


Carrello in alluminio per torre PoliCRIO40  
 Aluminium sleeve block for PoliCRIO 40 tower



Specifica Tecnica / Technical data	
Dimensioni/ <b>Dimensions</b>	557x557x633 mm
Materiale / <b>Material</b>	Lega alluminio EN AW 6082 T6 Alloy EN AW 6082 T6
Volume	0.20 mc
Peso / <b>Weight</b>	52.50 kg
Compatibilità/ <b>Compatibility</b>	T30Q - T30QS -T40QS - T40QP T52QS – T36R