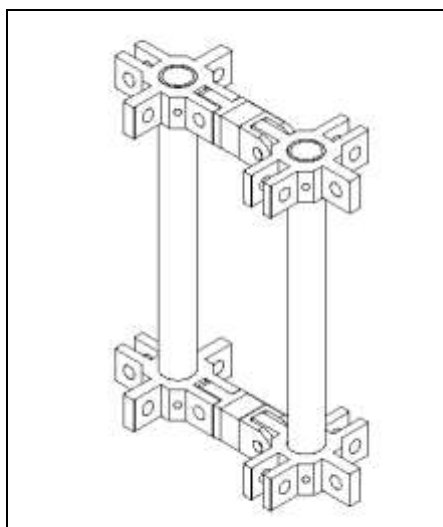


TECHNICAL DATA



Dimension	759 x 529 x 180 mm
Material	Aluminium EN AW 6082 T6
Ends	Aluminium casting plate EN AC-42200 T6
Connection	K52
Weight	16.75 kg
Welding	TIG UNI EN 9606-2:2006
Main tubes	Ø 50x4 mm
volume	0.072 mc

INERTIAL PROPERTIES

Area / Area	(A)	23.12	cm ²
Elastic modulus / Modulo Elastico	(E)	700.000	Kg / cm ²
Moment of inertia / Momento d'inerzia	(Iy)	29238	cm ⁴
Moment of inertia / Momento d'inerzia	(Ix)	7105	cm ⁴
Elastic section modulus / Modulo di resistenza elastico	(Wy)	768	cm ³
Elastic section modulus / Modulo di resistenza elastico	(Wx)	355	cm ³