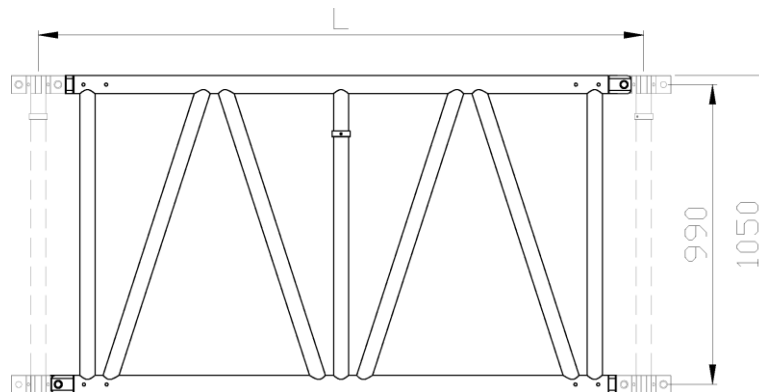

**FLAT SECTION TRUSS - S105F**

Code	Length L (cm)	Weight (kg)
S105F/200	200	23.50
S105F/150	150	16.70
S105F/100	100	12.80


**INERTIAL PROPERTIES**

Area (A)	17.28 cm <sup>2</sup>
Elastic modulus (E)	700 000 Kg / cm <sup>2</sup>
Moment of inertia (I <sub>yy</sub> )	42300 cm <sup>4</sup>
Elastic section modulus (W <sub>y</sub> )	807 cm <sup>3</sup>
Moment of inertia (I <sub>xx</sub> )	65,8 cm <sup>4</sup>
Elastic section modulus (W <sub>x</sub> )	21,923.5 cm <sup>3</sup>
Right weight	12.50 Kg/ml

**TECHNICAL DATA**

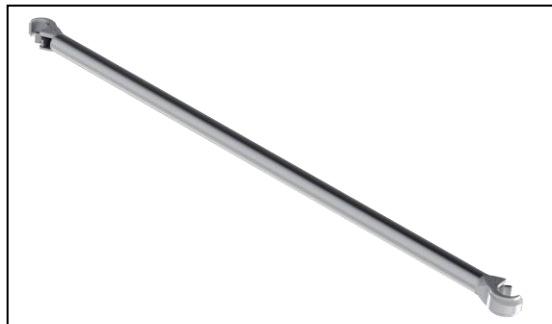
Section:	Flat section 105 cm
Material:	Aluminium EN AW-6082 T6
Ends :	Fork connection system Aluminium EN AW-6082 T6
Connection:	K105
Welding:	TIG UNI EN 9606-2:2006
Main tubes :	Ø60x5mm (EN AW-6082 T6)
Diagonals:	Ø50x4mm (EN AW-6082 T6)
Braces:	Ø50x4mm (EN AW-6082 T6)

**CONNECTIONS/ACCESSORIES**
**D105F-2**

two-way connection node


**TECHNICAL DATA**

Material:	Aluminium EN AW-6082 T6
Welding:	TIG UNI EN 9606-2:2006
Tubes :	Ø50x4mm (EN AW-6082 T6)
Weight :	4,34 kg

**Diagonals**

**TECHNICAL DATA**

Material:	Aluminium EN AW-6082 T6
Welding:	TIG UNI EN 9606-2:2006
Tubes :	Ø50x3mm (EN AW-6082 T6)

**PF105**

Fork connection kit (cylindrical pin + safety R-clip)


**TECHNICAL DATA**

Material:	Galvanized Steel
Cylindrical pin diameter :	Ø20mm
R-clip section:	Ø3,5mm