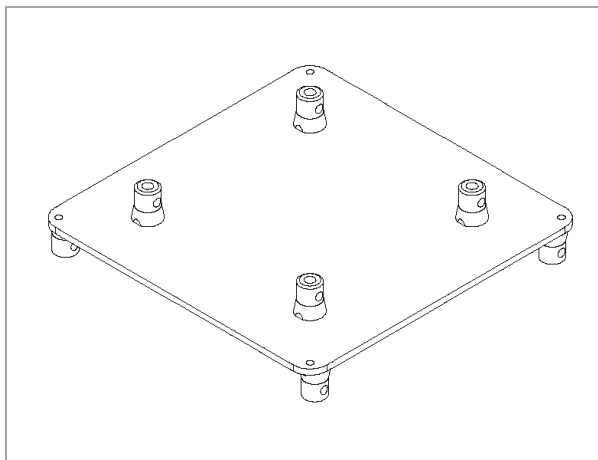
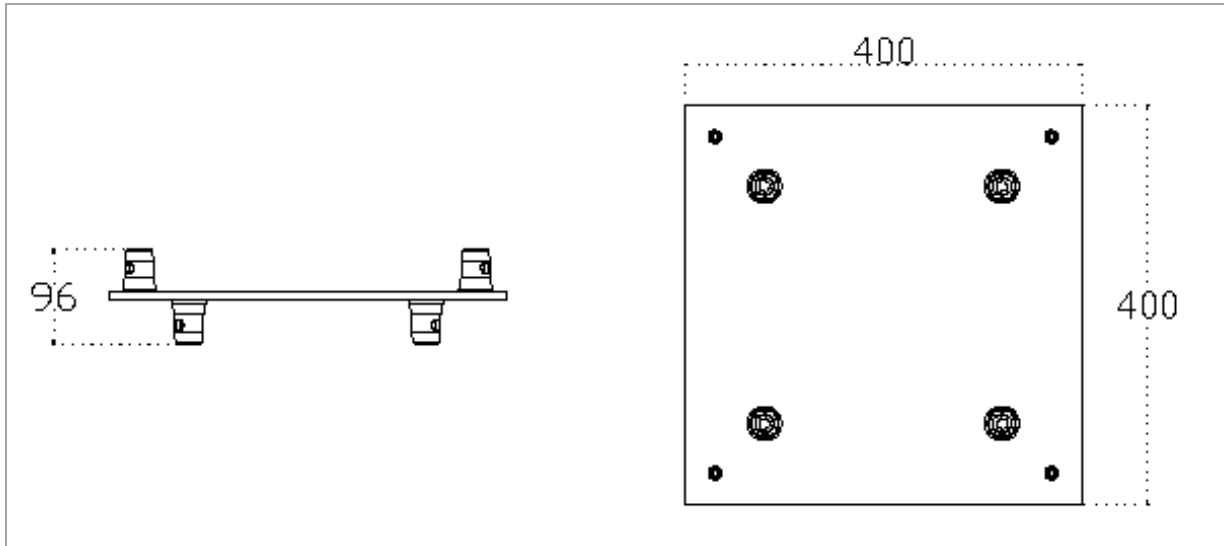


Steel adaptor double compatibility S30/S40
 Adattatore doppia compatibilità S30/S40 in acciaio



TECHNICAL SPECIFICATION

Dimension	400 x 400 x 96 mm
Material	galvanized steel
Weight	11.10 kg
Compatible	Square section 29 -40 cm
Volume	0.015 mc