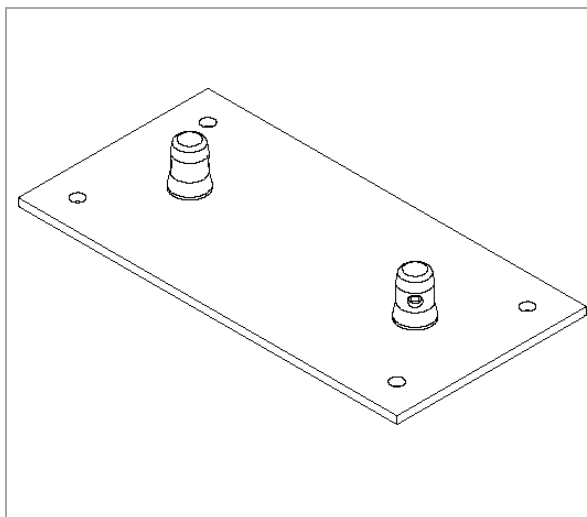
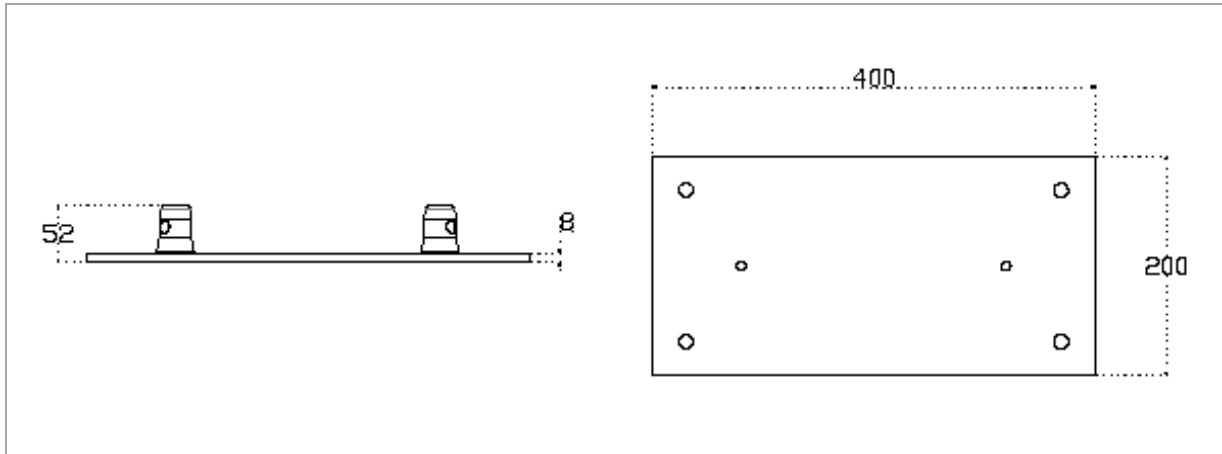


Steel Floor plate for flat section trusse
Piastra per traliccio piano in acciaio zincato



TECHNICAL SPECIFICATION	
Dimension	400 x 200 x 52 mm
Material	galvanized steel
Weight	5.30 kg
Compatible	Flat section 25 cm
Volume	0.0042 mc

ACCESSORIES