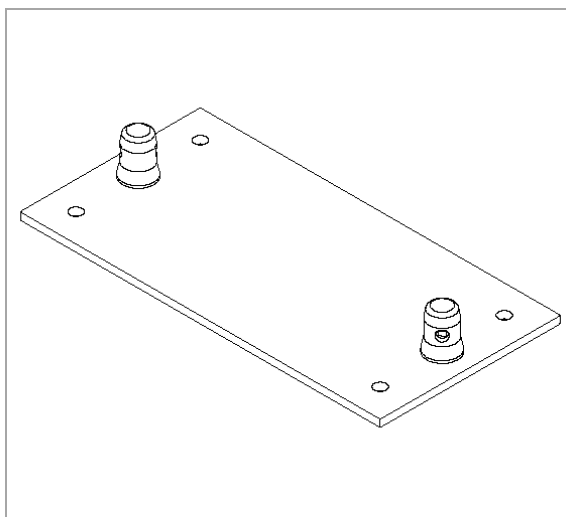
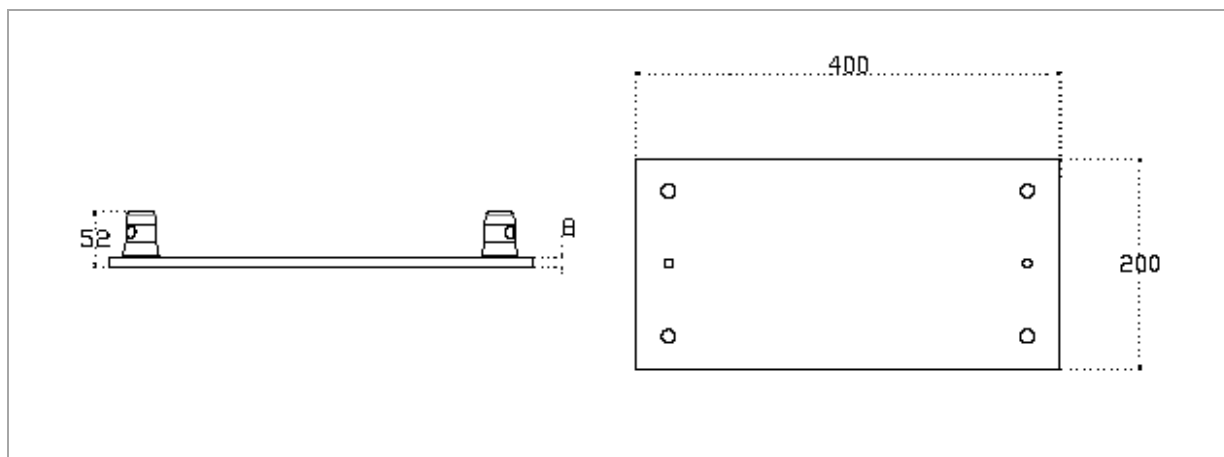


Steel Floor plate for flat section trusse  
Piastra per traliccio piano in acciaio zincato



#### TECHNICAL SPECIFICATION

<b>Dimension</b>	400 x 200 x 52 mm
<b>Material</b>	galvanized steel
<b>Weight</b>	5.30 kg
<b>Compatible</b>	Flat section 40 cm
<b>Volume</b>	0.0042 mc