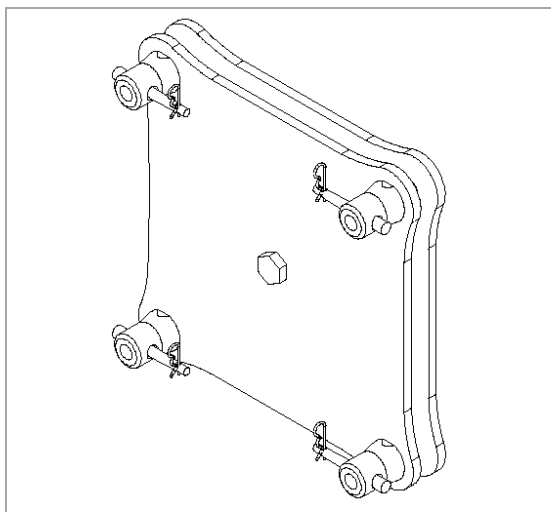
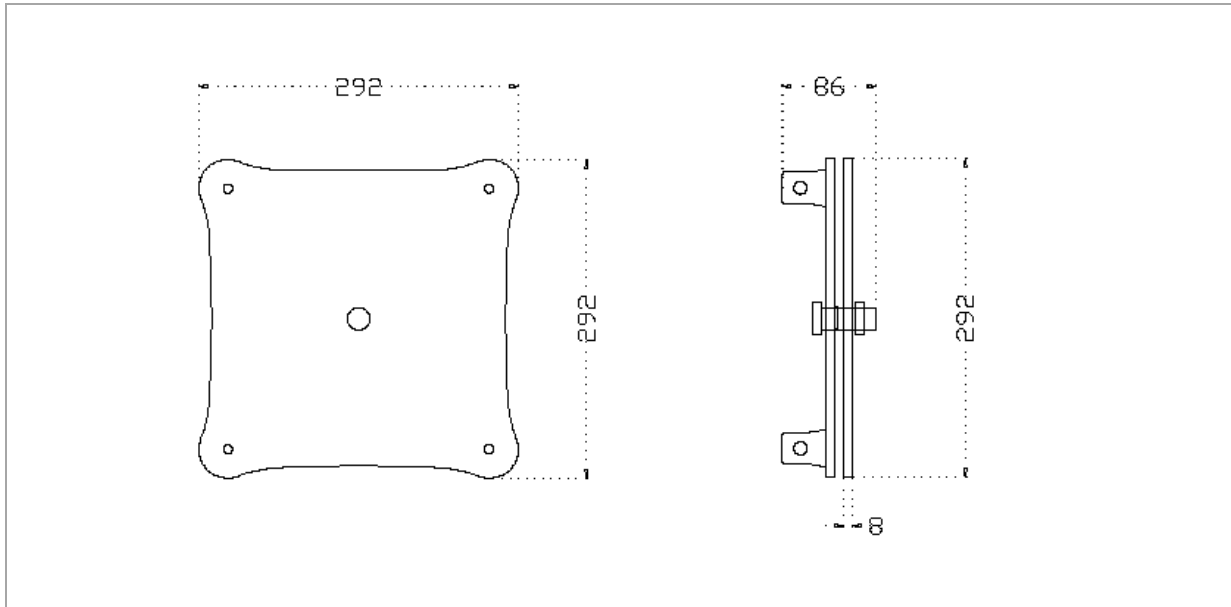


Steel adaptor with half connectors 360° rotation
 Adattatori con mezzi spinotti rotazione 360° , in acciaio



TECHNICAL SPECIFICATION	
Dimension	292 x 292 x 86 mm
Material	galvanized steel
Weight	14.50 kg
Compatibility	Square section 29 cm
Volume	0.007 mc

ACCESSORIES