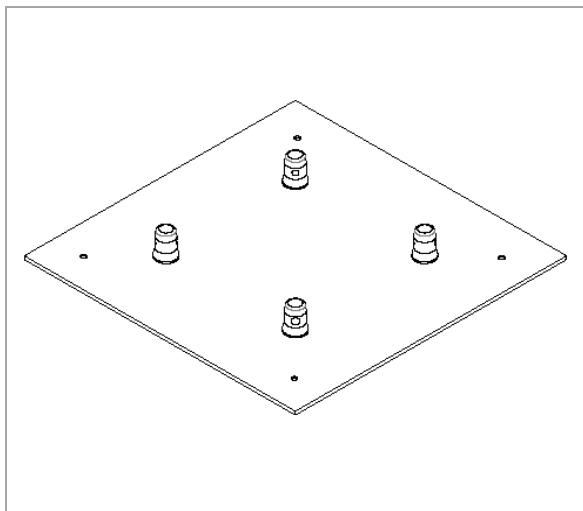
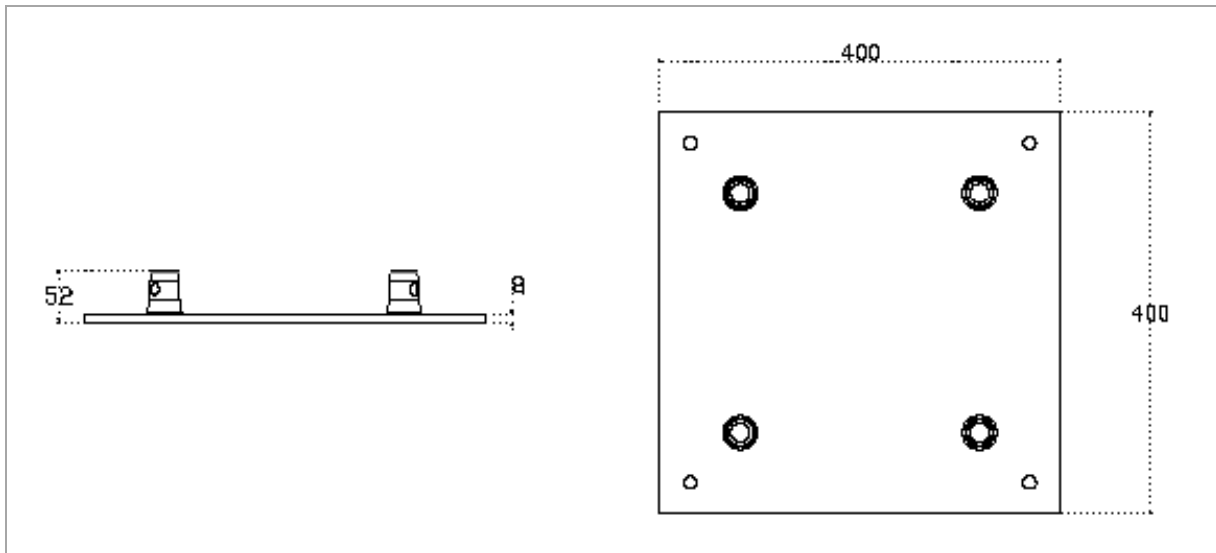


Steel Floor plate for Square section trusses
Piastra per traliccio quadro in acciaio zincato



TECHNICAL SPECIFICATION	
Dimension	400 x 400 x 52 mm
Material	galvanized steel
Weight	10.50 kg
Compatible	Square section 25 cm
Volume	0.00832 mc

ACCESSORIES