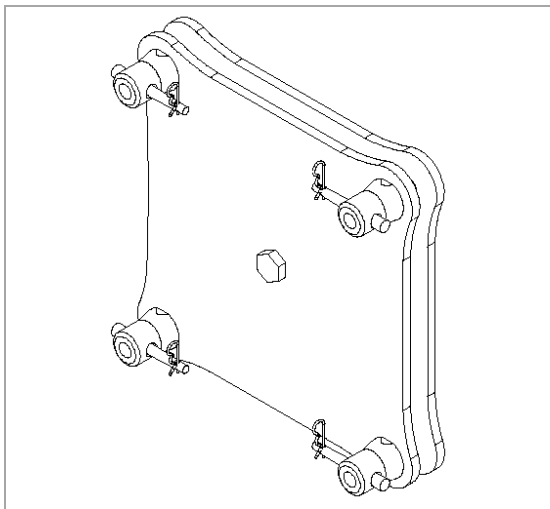
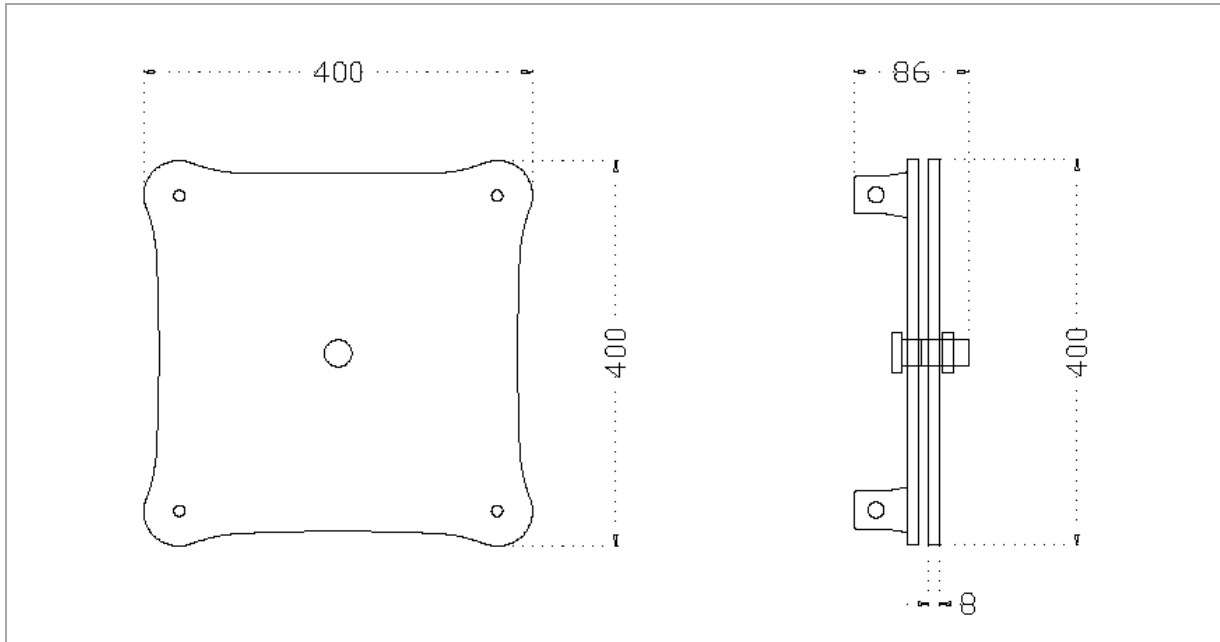


Steel adaptor with half connectors 360° rotation
 Adattatori con mezzi spinotti rotazione 360° , in acciaio



TECHNICAL SPECIFICATION

Dimension	400 x 400 x 86 mm
Material	galvanized steel
Weight	15.50 kg
Compatibility	Square section 40 cm
Volume	0.014 mc