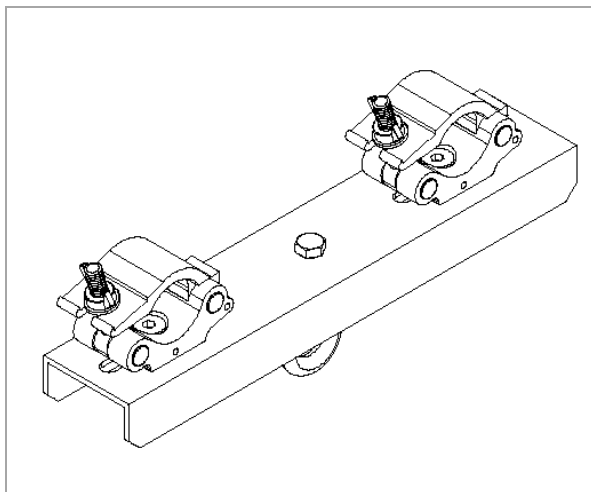
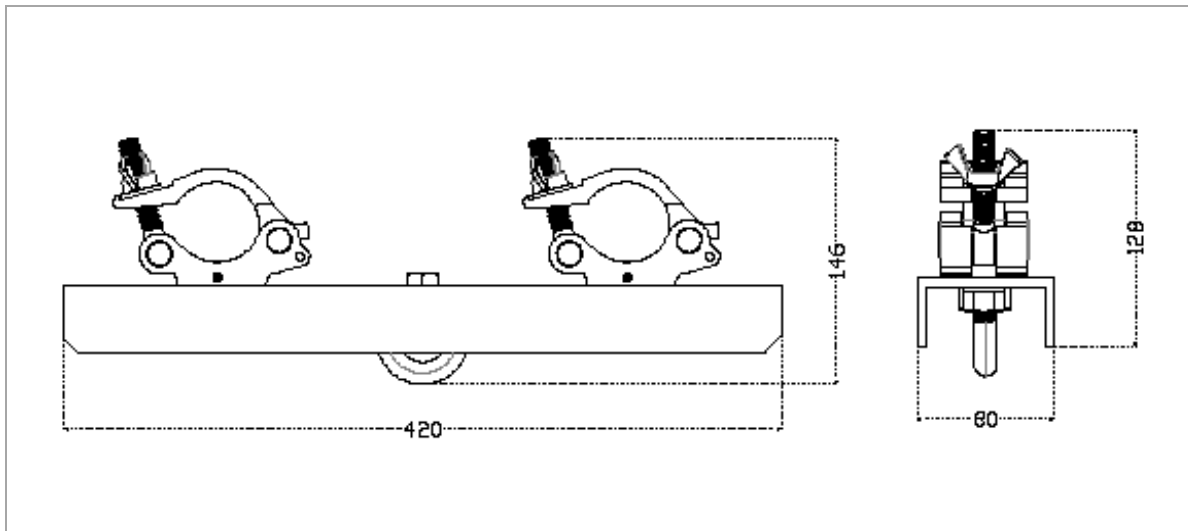


Support Truss plus version adjustable extension 30/40 cm with eyebolt Ø 20 mm
 Supporto Truss versione Plus estensione regolabile 30/40 cm con golfare Ø 20 mm


TECHNICAL DATA

Dimension	420 x 146 x 128 mm
Material	Aluminium EN AW 6060 T5 Steel (C15E)
Weight	2.70 kg
Volume	0.043 mc
Surface finish	Polished aluminum
Max load	340 kg
Notes	Min. tube diameter 48 mm Max. tube diameter 51 mm