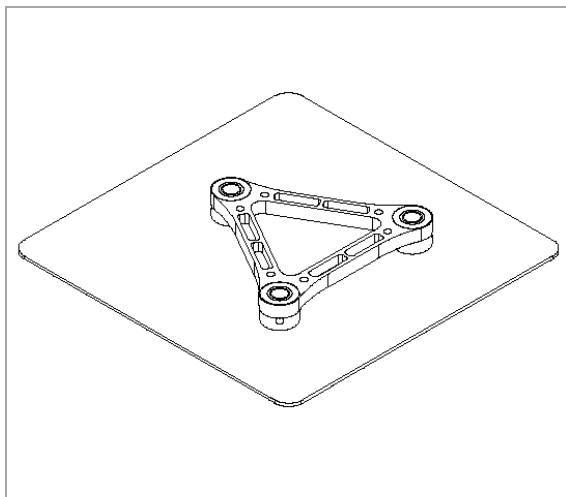
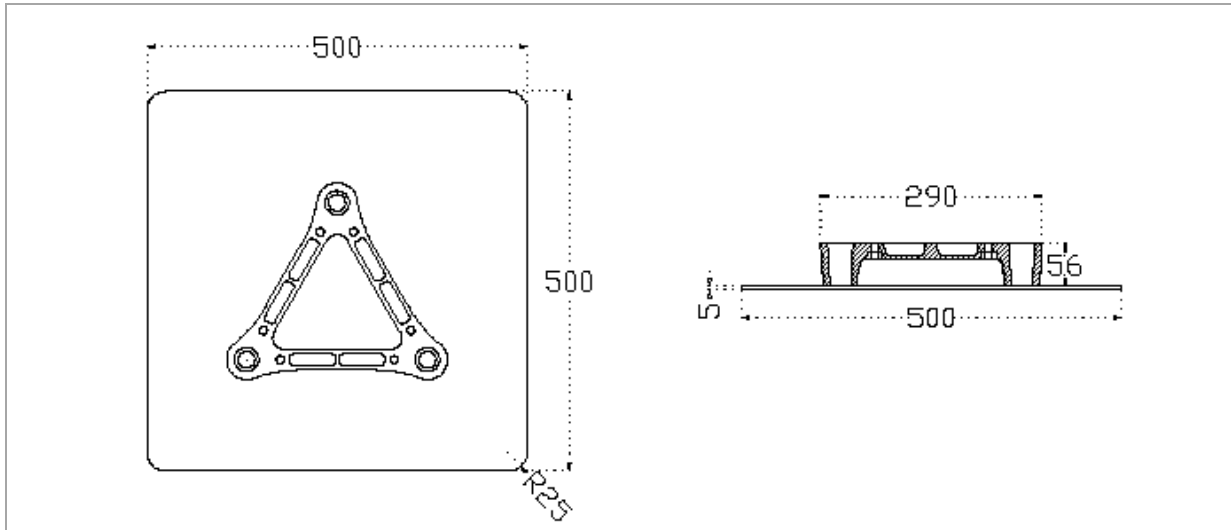


Aluminium floor plate for triangular section trusses
Piastra per traliccio triangolare in alluminio



TECHNICAL SPECIFICATION

Dimension	500 x 500 x 61 mm
Material	Aluminium EN AW 6082 T6
Weight	4.80 kg
Compatibility	Triangular section 29 cm
Volume	0.015 mc