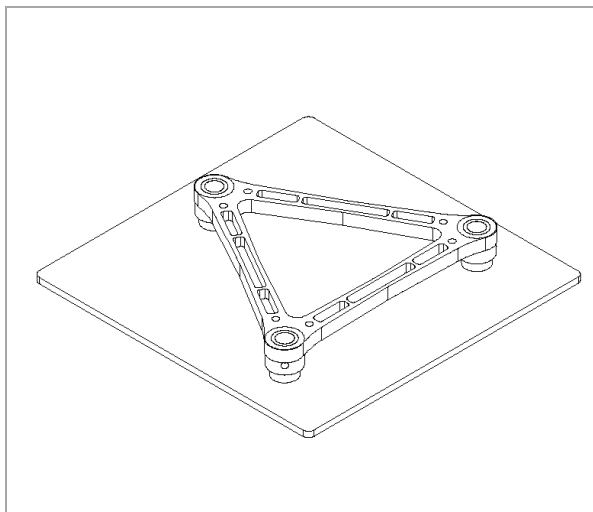
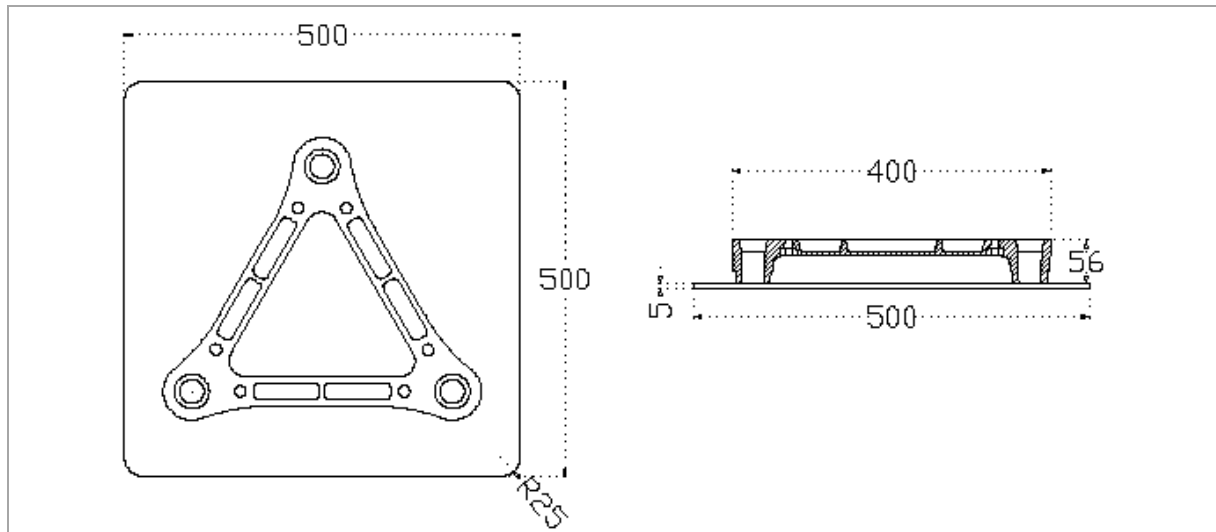


Aluminium floor plate for triangular section trusses  
Piastra per traliccio triangolare in alluminio



**TECHNICAL SPECIFICATION**

<b>Dimension</b>	500 x 500 x 61 mm
<b>Material</b>	Aluminium EN AW 6082 T6
<b>Weight</b>	6.00 kg
<b>Compatibility</b>	Triangular section 40 cm
<b>Volume</b>	0.015 mc