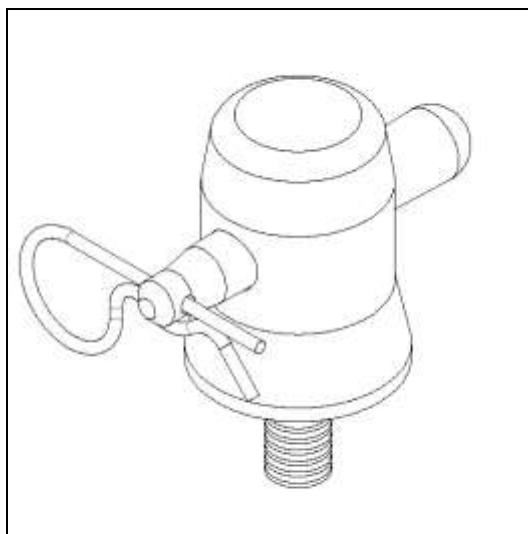
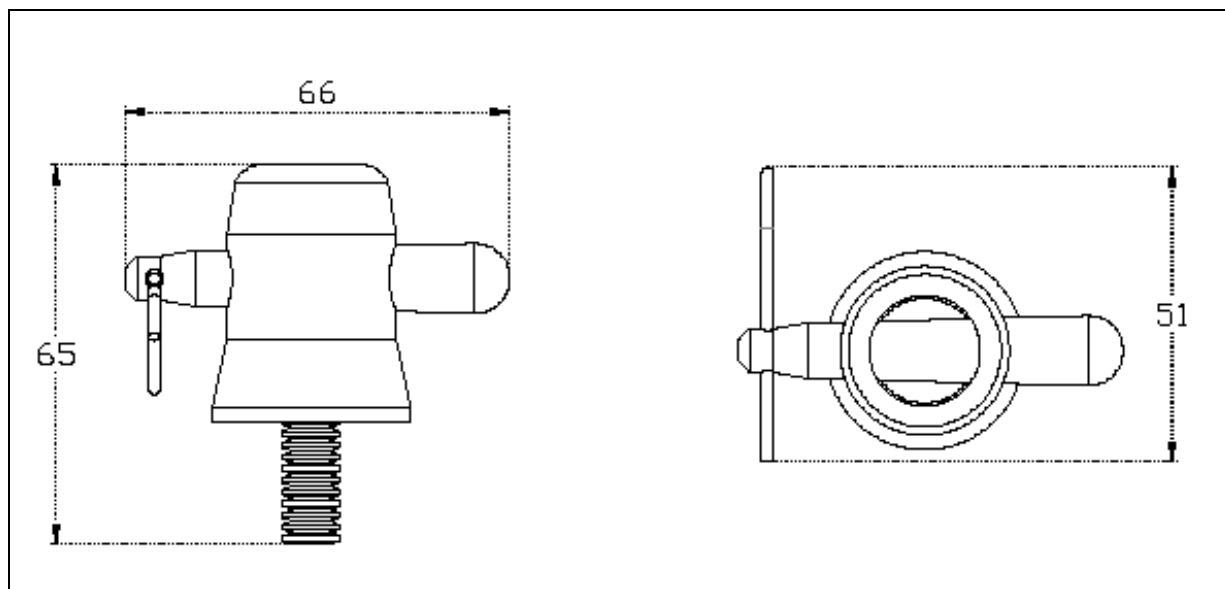


Kit of half spigot with screw for **DELTA** Dado  
*Kit di mezzo spinotto con vite per DELTA Dad*



#### TECHNICAL DATA

<b>Dimension</b>	65x66x51 mm
<b>Material</b>	AVP Steel (UNI EN 10020)
<b>Weight</b>	0.90 kg (single element)
<b>Components</b>	2 half spigot , 2 bolts, 2 pins , 2 safety springs
<b>Volume</b>	0.0012 mc