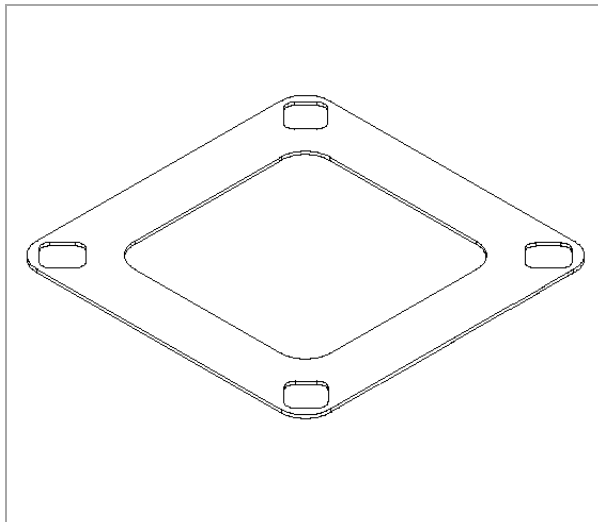
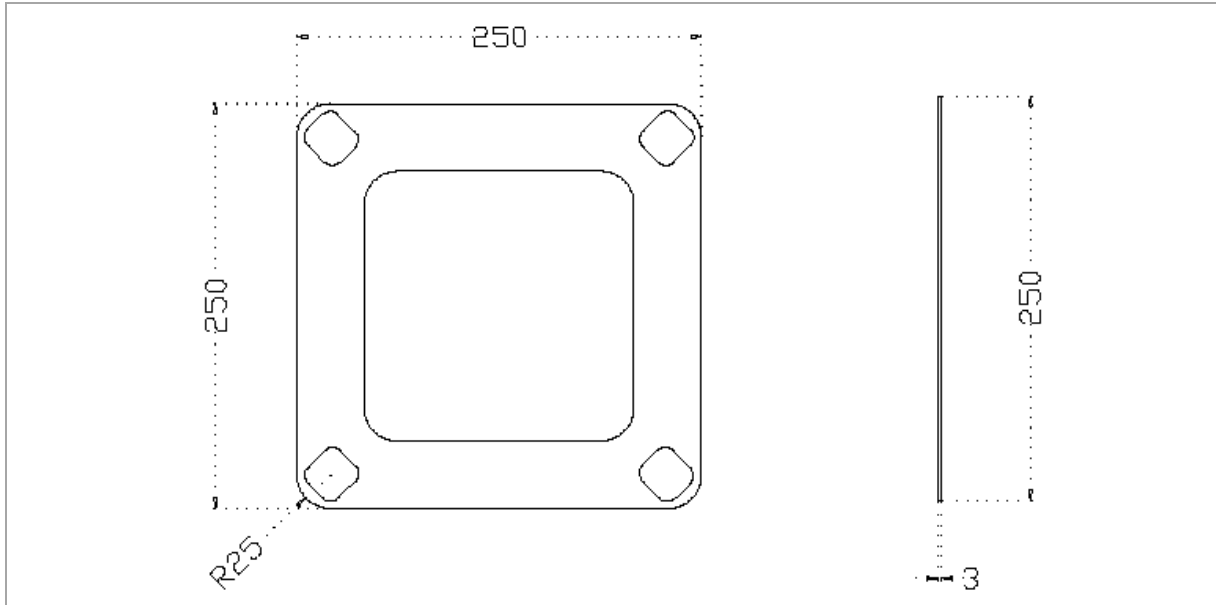


Assembly tool for **DELTA** Dado box spigot
Dima di montaggio per DELTA Dado



TECHNICAL SPECIFICATION	
Dimension	250x250x3 mm
Material	galvanized steel
Weight	0.850 kg
Compatible	Square Truss 25 cm
Volume	0.0019 mc

ACCESSORIES