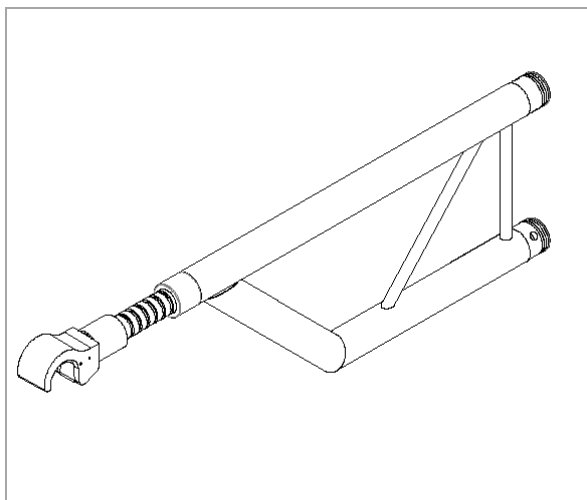
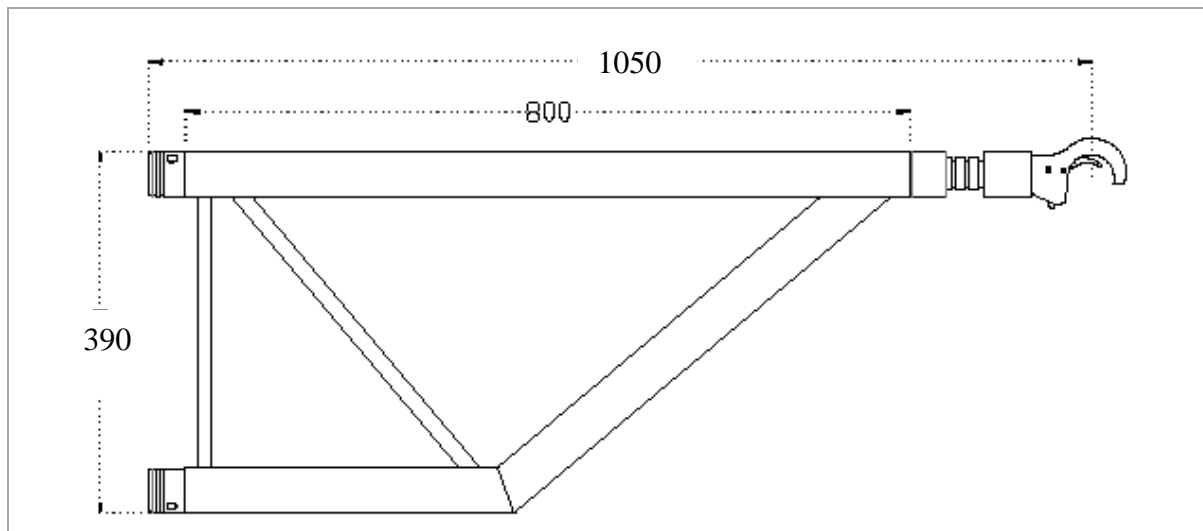


Flat terminal length 105 cm adjustable 0/20 cm with hook
Terminale regolabile 0/20 cm sezione piana lungh. 105 cm
 dotato di gancio a molla


TECHNICAL SPECIFICATION

Section	Flat 39 cm long sides
Material	Aluminium EN AW 6082 T6
Ends	Fast conical connection system Aluminium EN AW 6082 T6
Connection	SSF02T
Weight	4.20 kg
Welding	TIG UNI EN 9606-2:2006
Main tubes	Ø 50x2 mm
Diagonals	Ø 20x2 mm

INERTIAL PROPERTIES

Area / Area	(A)	8.84	cm ²
Elastic modulus / Modulo Elastico	(E)	700.000	Kg / cm ²
Moment of inertia / Momento d'inerzia	(Iy)	2543	cm ⁴
Elastic section modulus / Modulo di resistenza elastico	(Wy)	130	cm ³