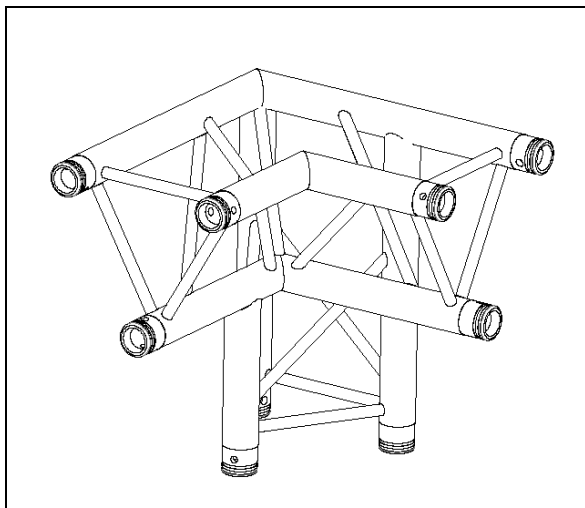
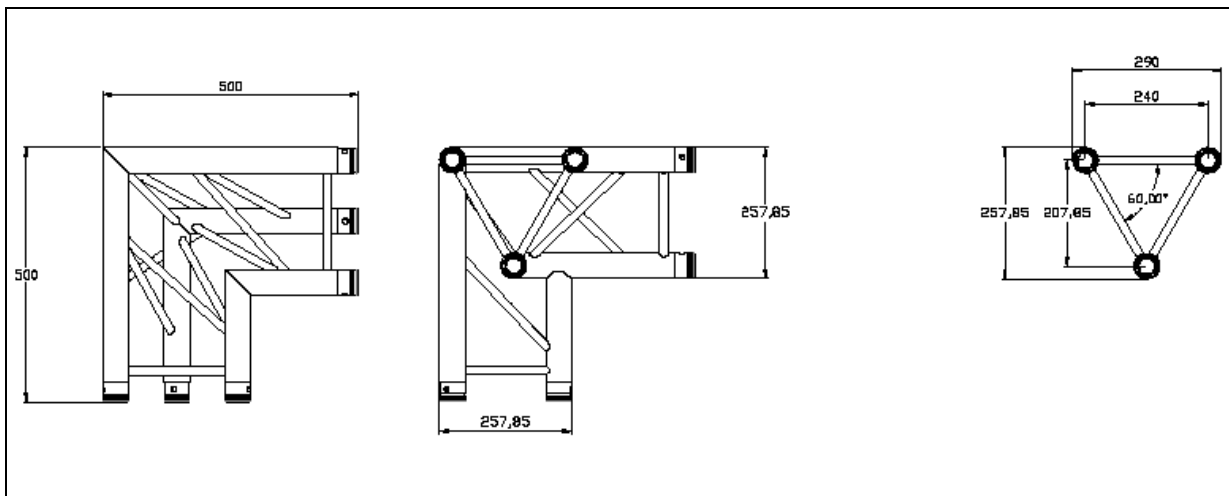


3 way 90° corner left vertex on bottom
90° 3 vie sinistro vertice in basso



TECHNICAL DATA

Section	Triangular 29 cm long sides
Material	Aluminium EN AW 6082 T6
Ends	Fast conical connection system Aluminium EN AW 6082 T6
Connection	SSF03T
Weight	4.75 kg
Welding	TIG UNI EN 9606-2:2006
Main tubes	Ø 50x2 mm
Diagonals	Ø16x2 mm

INERTIAL PROPERTIES

Area / Area	(A)	9.03	cm ²
Elastic modulus / Modulo Elastico	(E)	700.000	Kg / cm ²
Moment of inertia / Momento d'inerzia	(I _y)	771	cm ⁴
Moment of inertia / Momento d'inerzia	(I _x)	763	cm ⁴
Elastic section modulus / Modulo di resistenza elastico	(W _y)	53	cm ³
Elastic section modulus / Modulo di resistenza elastico	(W _x)	53	cm ³