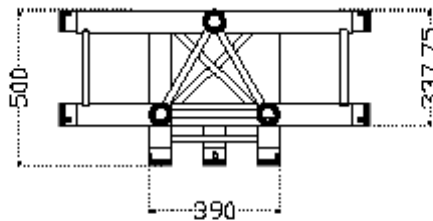
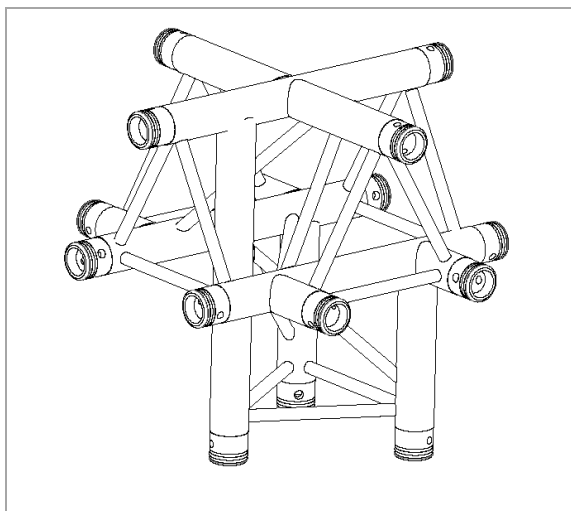
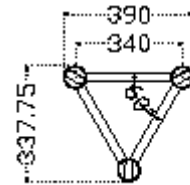


Vista Superiore



Vista Laterale



TECHNICAL DATA

Section	Triangular 39 cm long sides
Material	Aluminium EN AW 6082 T6
Ends	Fast conical connection system Aluminium EN AW 6082 T6
Connection	SSF03T
Weight	11.95 kg
Welding	TIG UNI EN 9606-2:2006
Main tubes	Ø 50x3 mm
Diagonals	Ø20x2 mm

INERTIAL PROPERTIES

Area / Area	(A)	13.2	cm ²
Elastic modulus / Modulo Elastico	(E)	700.000	Kg / cm ²
Moment of inertia / Momento d'inerzia	(I _y)	2950	cm ⁴
Moment of inertia / Momento d'inerzia	(I _x)	2775	cm ⁴
Elastic section modulus / Modulo di resistenza elastico	(W _y)	173	cm ³
Elastic section modulus / Modulo di resistenza elastico	(W _x)	163	cm ³