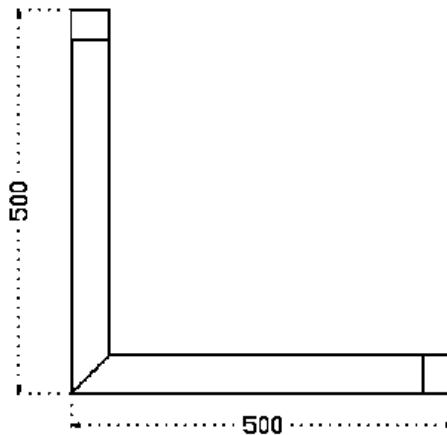
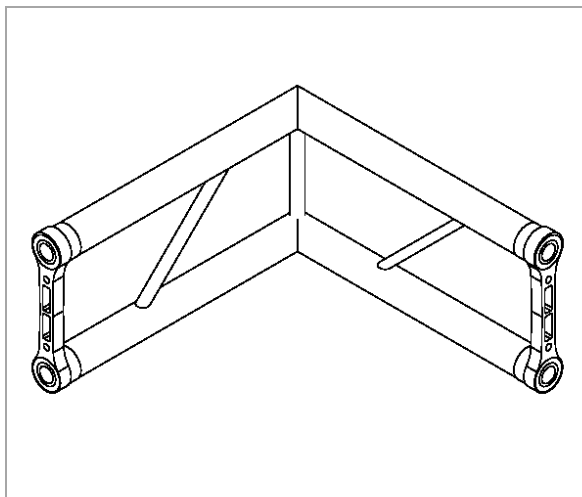


vista fronte



vista alto



TECHNICAL SPECIFICATION

Section	Flat 25 cm long sides
Material	Aluminium EN AW 6082 T6
Ends	Aluminium casting plate EN AB-44100
Connection	SSF02 – KB2
Weight	3.25 kg
Welding	TIG UNI EN 9606-2:2006
Main tubes	Ø 50x2 mm
Diagonals	Ø 18x1.5 mm

INERTIAL PROPERTIES

Area / Area	(A)	6.02	cm ²
Elastic modulus / Modulo Elastico	(E)	700.000	Kg / cm ²
Moment of inertia / Momento d'inerzia	(I _y)	602	cm ⁴
Elastic section modulus / Modulo di resistenza elastico	(W _y)	48	cm ³