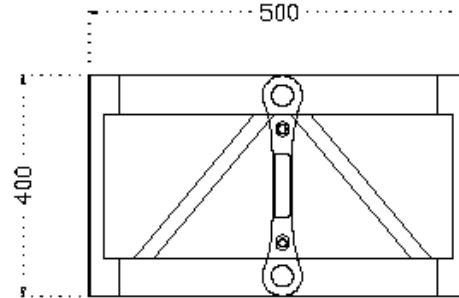
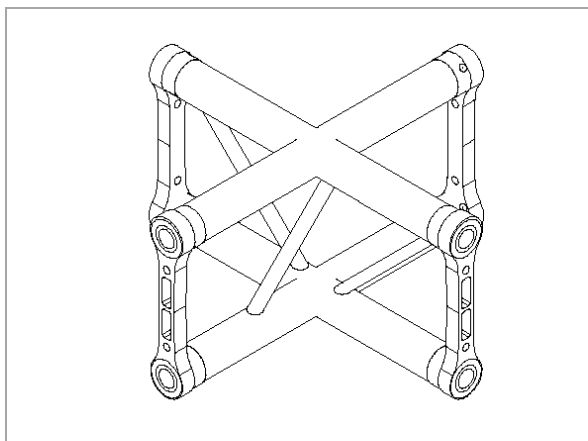


vista fronte



vista fronte



#### TECHNICAL SPECIFICATION

<b>Section</b>	Flat 40 cm long sides
<b>Material</b>	Aluminium EN AW 6082 T6
<b>Ends</b>	Aluminium casting plate EN AB-44100
<b>Connection</b>	SSF02 – KB2
<b>Weight</b>	6.50 kg
<b>Welding</b>	TIG UNI EN 9606-2:2006
<b>Main tubes</b>	Ø 50x2 mm
<b>Diagonals</b>	Ø 20x2 mm

#### INERTIAL PROPERTIES

<b>Area / Area</b>	(A)	6.02	cm <sup>2</sup>
<b>Elastic modulus / Modulo Elastico</b>	(E)	700.000	Kg / cm <sup>2</sup>
<b>Moment of inertia / Momento d'inerzia</b>	(I <sub>y</sub> )	1843	cm <sup>4</sup>
<b>Elastic section modulus / Modulo di resistenza elastico</b>	(W <sub>y</sub> )	92	cm <sup>3</sup>