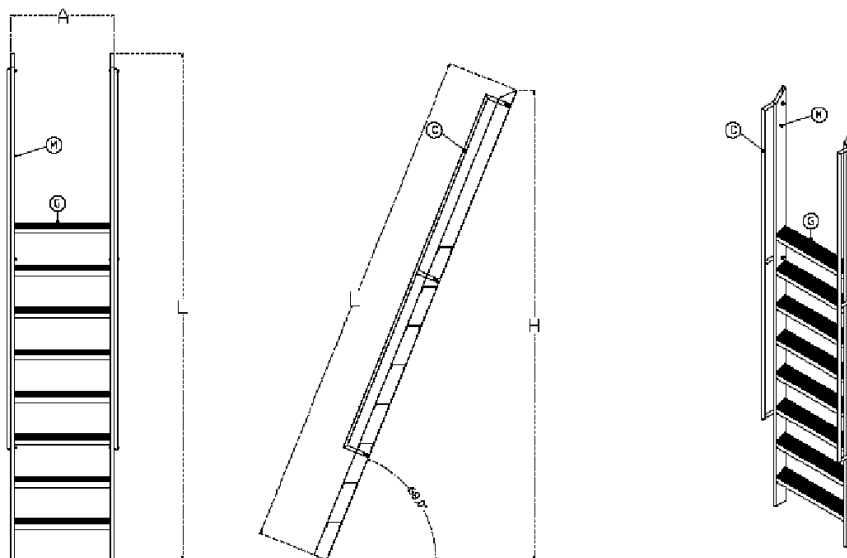


Support large-scale 60 cm with central exit and double handrails
 Scala di appoggio larga 60 cm con uscita centrale e doppio corrimano

Caratteristiche tecniche / Technical data

Codice code	Lunghezza length L (cm)	Larghezza width A (cm)	Altezza height H (cm)	Distanza interna scalini Internal distance steps (cm)	Gradini Gardens	Peso weight (kg)	Volume volume (mc)
S/5	235	60	116	25	5	8.0	0.28
S/6	260	60	139	25	6	9.0	0.31
S/7	285	60	162	25	7	10.3	0.34
S/8	310	60	186	25	8	11.4	0.37
S/9	335	60	209	25	9	12.5	0.40
S/10	360	60	232	25	10	13.8	0.43
S/11	385	60	255	25	11	15.0	0.46
S/12	410	60	278	25	12	16.3	0.49
S/13	435	60	302	25	13	17.3	0.52
S/14	460	60	325	25	14	18.5	0.55
S/15	485	60	348	25	15	19.5	0.58
S/16	510	60	371	25	16	21.5	0.61
S/17	535	60	394	25	17	22.0	0.64
S/18	560	60	418	25	18	25.5	0.67
S/19	585	60	441	25	19	26.5	0.70
S/20	610	60	465	25	20	28.0	0.73
S/21	635	60	487	25	21	29.0	0.76

Specifica Tecnica / technical specification

- **G - Profilo Gradino/** profile step: 83x33x2.4 mm
- **M - Profilo Montante /**mast profile: 80x22x1.2 mm
- **C -Corrimano /** handrail ϕ 20x2 mm
- **Materiale /** Material **Legha alluminio 6060 -T5** /alloy aluminium 6060-T5
- **Processo di saldatura /** welding process: TIG UNI EN 9606-2:2006
- **Riferimenti normativi /**normative references : D.Lgs. 81/2008
- **Portata /**Capacity load 150 kg
- **Tappi antisdrucciolo /** anti-skid caps